



Soldadores & Motores Ltda.



Btá *Contáctenos*

PBX:(1) 261 8158

soldamotores@gmail.com

www.soldadoresymotores.com

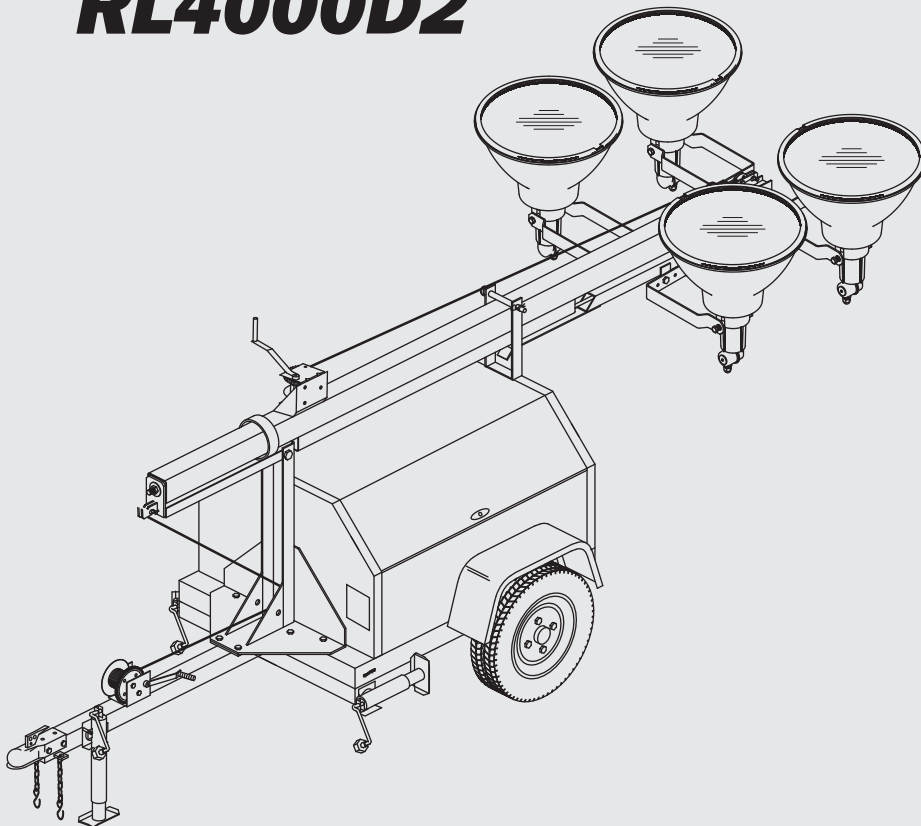




TEREX®

Parts Manual

RL4000D2



First Edition

Rev A

Part No. 116444

September 2008

Introduction

REV A

Important

Read, understand and obey the safety rules and operating instructions in the appropriate Operator's Manual on your machine before attempting any maintenance procedure.

Basic mechanical, hydraulic and electrical skills are required to perform most procedures. However, several procedures require specialized skills, tools, lifting equipment and a suitable workshop. In these instances, we strongly recommend that maintenance and repair be performed at an authorized TEREX dealer service center.

Technical Publications

TEREX Corporation has endeavored to deliver the highest degree of accuracy possible. However, continuous improvement of our products is a TEREX policy. Therefore, product specifications are subject to change without notice.

Readers are encouraged to notify TEREX of errors and send in suggestions for improvement. All communications will be carefully considered for future printings of this and all other manuals.

Contact Us:

www.TEREX.com

Serial Number Information

TEREX Corporation offers the following manuals for these models:

| Title | Part No. |
|---|-----------------|
| TEREX RL4000 Operator's Manual First Edition | 116417 |
| TEREX RL4000 Service Manual First Edition | 116473 |
| TEREX RL4000 Part's Manual First Edition | 116444 |
| Leroy Somer Manual | 116118 |
| Kubota Engine Manual | 893020 |
| Axis Manual | 116117 |
| Marathon Manual | 116188 |

Copyright © 2008 by TEREX Corporation

116444 Rev A September 2008
First Edition, Second Printing

"TEREX" is a registered trademark of TEREX Corporation in the USA and many other countries. "Super Quiet" is a trademark of TEREX Corporation.

 Printed on recycled paper

Printed in U.S.A.

How to Read Your Serial Number

REV A

Serial Number Legend

The serial number plate on your RL4000 is located on the cabinet next to the light tower mast.

MANUFACTURED BY/FABRIQUE PAR:
TEREX ROCK HILL
590 Huey Road
Rock Hill, SC 29732



DATE: FEBRUARY 2008
GVWR / PNBV 1,244 KG (2,743 LBS)
GAWR / PNBE 1,244 KG (2,743 LBS)
TIRES / PNEU ST205/75D13 LOAD RANGE C
RIMS / JANTE 15.0 X 4.5 5H
COLD TIRES INFL/ 35 PSI / 250 KPA

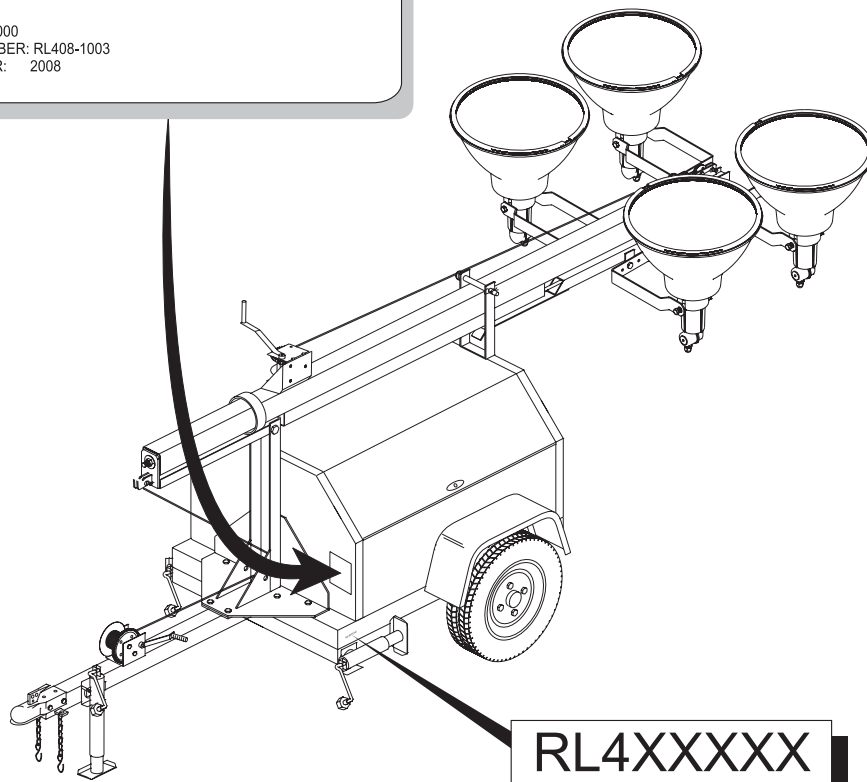
PRESS, DE GONFL. A FROID 'SINGLE'

THIS VEHICLE CONFORMS TO ALL APPLICABLE U.S. FEDERAL MOTOR VEHICLE SAFETY STANDARDS IN EFFECT ON THE DATE OF MANUFACTURE SHOWN ABOVE.

THIS VEHICLE CONFORMS TO ALL APPLICABLE STANDARDS PRESCRIBED UNDER THE CANADIAN MOTOR VEHICLE SAFETY REGULATIONS IN EFFECT ON THE DATE MANUFACTURE/
CE VEHICULE EST CONFORME A TOUTES LES NORMES QUI LUI SONT APPLICABLES EN VERTU DU REGLEMENT SUR LA SECURITE DES VEHICULES AUTOMOBILES DU CANADA EN VIGUEUR A LA DATE DE SA FABRICATION

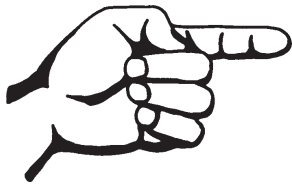
TYPE OF VEHICLE / TYPE DE VEHICULE: TRAILER/REMORQUE

MODEL: RL4000
SERIAL NUMBER: RL408-1003
MODEL YEAR: 2008



RL4XXXXX

Serial number is stamped into frame.



This page intentionally left blank.



Safety Rules

REV A



Danger

Failure to obey the instructions and safety rules in this manual and the appropriate Operator's Manual on your machine will result in death or serious injury.

Many of the hazards identified in the operator's manual are also safety hazards when maintenance and repair procedures are performed.

Do Not Perform Maintenance Unless:

- You are trained and qualified to perform maintenance on this machine.
- You read, understand and obey:
 - manufacturer's instructions and safety rules
 - employer's safety rules and worksite regulations
 - applicable governmental regulations
- You have the appropriate tools, lifting equipment and a suitable workshop.

Personal Safety

Any person working on or around a machine must be aware of all known safety hazards. Personal safety and the continued safe operation of the machine should be your top priority.



Read each procedure thoroughly. This manual and the decals on the machine, use signal words to identify the following:



Safety alert symbol—used to alert personnel to potential personal injury hazards. Obey all safety messages that follow this symbol to avoid possible injury or death.

▲ DANGER

Red—used to indicate the presence of an imminently hazardous situation which, if not avoided, will result in death or serious injury.

▲ WARNING

Orange—used to indicate the presence of a potentially hazardous situation which, if not avoided, could result in death or serious injury.

▲ CAUTION

Yellow with safety alert symbol—used to indicate the presence of a potentially hazardous situation which, if not avoided, may cause minor or moderate injury.

CAUTION

Yellow without safety alert symbol—used to indicate the presence of a potentially hazardous situation which, if not avoided, may result in property damage.

NOTICE

Green—used to indicate operation or maintenance information.



Be sure to wear protective eye wear and other protective clothing if the situation warrants it.



Be aware of potential crushing hazards such as moving parts, free swinging or unsecured components when lifting or placing loads. Always wear approved steel-toed shoes.

Workplace Safety



Be sure to keep sparks, flames and lighted tobacco away from flammable and combustible materials like battery gases and engine fuels. Always have an approved fire extinguisher within easy reach.



Be sure that all tools and working areas are properly maintained and ready for use. Keep work surfaces clean and free of debris that could get into machine components and cause damage.



Be sure that your workshop or work area is properly ventilated and well lit.



Be sure any forklift, overhead crane or other lifting or supporting device is fully capable of supporting and stabilizing the weight to be lifted. Use only chains or straps that are in good condition and of ample capacity.



Be sure that fasteners intended for one time use (i.e., cotter pins and self-locking nuts) are not reused. These components may fail if they are used a second time.



Be sure to properly dispose of old oil or other fluids. Use an approved container. Please be environmentally safe.

Table of Contents

REV A

Introduction

| | |
|--|------------|
| Important Information - Introduction | <i>ii</i> |
| How to Read Your Serial Number | <i>iii</i> |
| Parts Stocking List | <i>ix</i> |
| How to Order Parts | <i>xi</i> |
| Service Parts Fax Order Form | <i>xii</i> |

Section 1

Safety Rules

| | |
|----------------------------|----------|
| General Safety Rules | <i>v</i> |
|----------------------------|----------|

Section 100

Rev

Decals

| | | | |
|---|--------------|--------------|---------|
| A | Figure 101.1 | Decals | 100 - 2 |
|---|--------------|--------------|---------|

Section 200

Rev

Chassis Components

| | | | |
|---|--------------|---------------------------|---------|
| A | Figure 201.1 | Light Tower Chassis | 200 - 2 |
| A | Figure 202.1 | Fuel Tank Assembly | 200 - 4 |

Section 300

Rev

Cabinet Components

| | | | |
|---|--------------|--------------------------|---------|
| A | Figure 301.1 | Cabinet Components | 300 - 2 |
|---|--------------|--------------------------|---------|

Section 400

Rev

Electrical Components

| | | | |
|---|--------------|--------------------------------|---------|
| A | Figure 401.1 | Electrical Control Box | 400 - 2 |
| A | Figure 402.1 | Ballast Box Assembly | 400 - 4 |
| A | Figure 403.1 | Light Fixture | 400 - 6 |
| A | Figure 404.1 | Coil Cord & Junction Box | 400 - 8 |

TABLE OF CONTENTS

REV A

| | | | |
|--------------------|------------|---|---------|
| Section 500 | Rev | Engine & Generator | |
| | A | Figure 501.1 Engine - Kubota | 500 - 2 |
| | A | Figure 502.1 Marathon Generator - 6 kW | 500 - 4 |
| | A | Figure 503.1 Leroy Somer Generator - 6 kW | 500 - 6 |

| | | | |
|--------------------|------------|-----------------------------------|---------|
| Section 600 | Rev | Mast Components | |
| | A | Figure 601.1 Tower Assembly | 600 - 2 |

| | | | |
|--------------------|------------|----------------------------|---------|
| Section 700 | Rev | Options | |
| | A | Figure 701.1 Options | 700 - 2 |



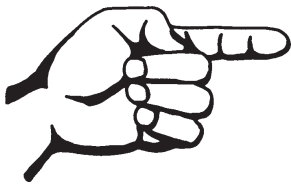
Parts Stocking List

REV A

Required Parts

The following parts are required to perform maintenance procedures as outlined in the *TEREX RL4000 Parts and Service Manual*.

| Description | Part No. |
|----------------------|-----------------|
| Kubota Models | |
| Oil Filter | 866050 |
| Air Filter | 866127 |
| Fuel Filter | 839200 |
| V-belt | 839209 |



This page intentionally left blank.



How To Order Parts

REV A

Please be prepared with the following information when ordering replacement parts for your TEREX product:

- Machine model number
- Machine serial number
- Terex part number
- Part description and quantity
- Purchase order number
- "Ship to" address
- Desired method of shipment
- Name and telephone number of the authorized TEREX Distributor in your area

Genie Industries

18340 NE 76th Street
P.O. Box 97030
Redmond, WA 98073-9730
Telephone (877) 367-5606
Fax (888) 274-6192
genieindustries.com

Use the Service Parts Fax Order Form on the next page and fax your order to our Parts Department.

If you don't know the name of your authorized distributor, or if your area is not currently serviced by an authorized distributor, please call TEREX Corporation.

Machine Information

Model

Serial Number

Date of Purchase

Authorized TEREX Distributor

Phone Number



Service Parts fax Order Form

FAX TO: (888) 274-6192 OR TOLL FREE: 877-367-5606

Please fill out completely

Date _____ Account Number _____

Your Name _____ Your Fax Number _____

Bill To _____ Your Phone Number _____

Ship To _____

Purchase Order Number _____ Ship Via _____

Model(s) _____ Serial No.(s) _____

Optional Equipment _____

| Part Number | Description | Quantity | Price |
|-------------|-------------|----------|-------|
| | | | |
| | | | |
| | | | |
| | | | |
| | | | |
| | | | |
| | | | |
| | | | |
| | | | |
| | | | |
| | | | |
| | | | |
| | | | |
| | | | |
| | | | |
| | | | |
| | | | |
| | | | |
| | | | |
| | | | |

All backordered parts will be shipped when available via the same ship method as the original order unless noted below:

- Ship complete order only - no backorders
- Ship all available parts and contact customer on disposition of backordered parts
- Other (please specify)

FOR TEREX USE ONLY

Order Number _____ Origin Code _____ Comments _____

Date Scheduled _____ Ship Condition _____

Order Total _____ Terms Code _____

remove this page and make copies

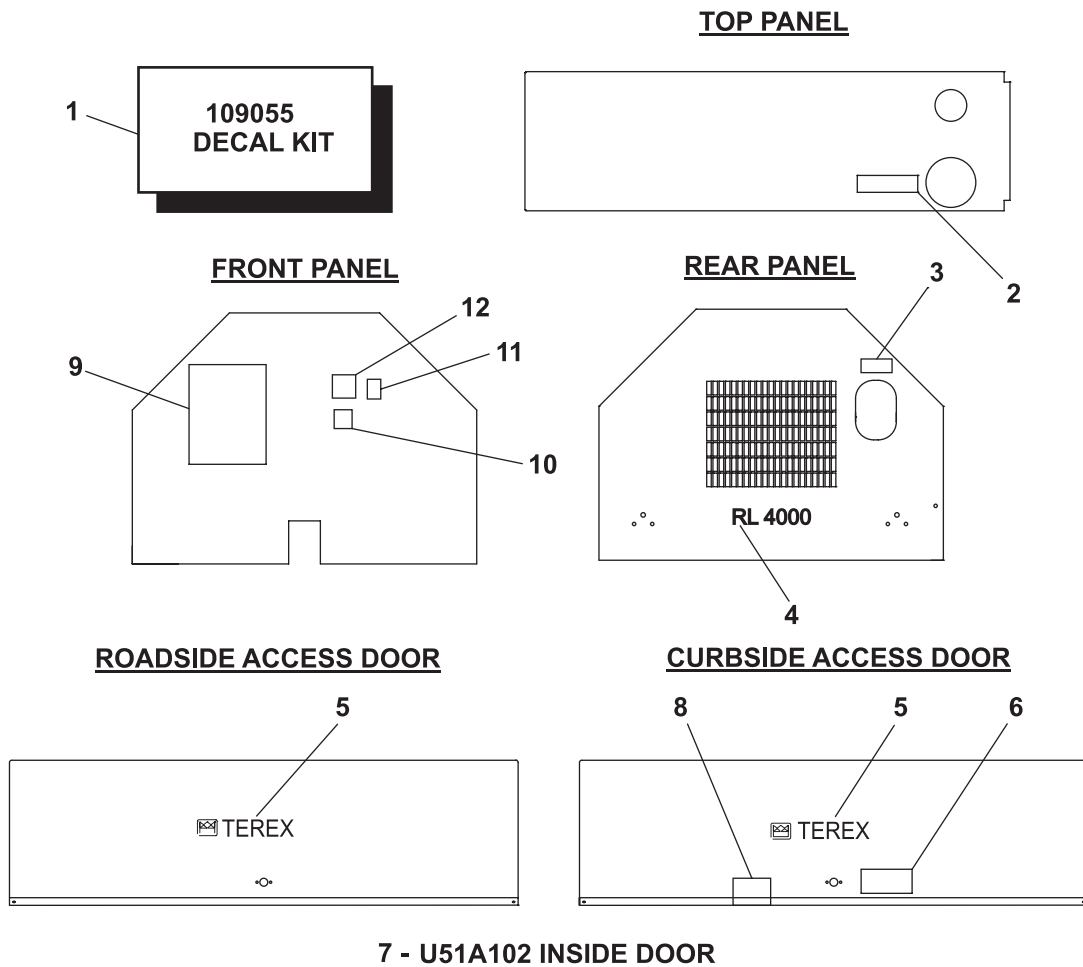
remove this page and make copies

Decals

Figure 101.1

Decals

REV A

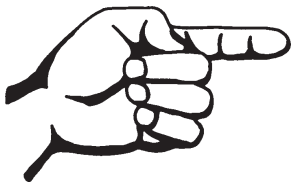




REV A

FIGURE 101.1

| ITEM # | PARTS # | DESCRIPTION | QTY. |
|--------|-----------|--|------|
| 1 | 109055 | KIT: DECALS FOR MODEL 04000RL RITE LITE | 1 |
| 2 | 850155 | DECAL: DIESEL FUEL ONLY | 1 |
| 3 | CU51A112 | DECAL: DANGER HOT EXHAUST | 1 |
| 4 | 853316 | DECAL:RL4000 W/STRIPE OP/BOTTOM 2.25" TALL | 1 |
| 5 | 853792 | DECAL: TEREX 4.5"X43" | 2 |
| 6 | CR51A101 | DECAL:WARNING-IMPROPER GROUNDING. | 1 |
| 7 | CU51A102 | DECAL: NOTICE-NO ETHER | 1 |
| 8 | C52100100 | DECAL: CALIF.PROP 65 | 1 |
| 9 | CU51A116 | DECAL: TEREX POWER MOVING INSTRUCTION | 1 |
| 10 | CU51A111 | DECAL: WARNING-BOOM DROP | 1 |
| 11 | CR51A101 | DECAL:WARNING-IMPROPER GROUNDING. | 1 |
| 12 | CR51A311 | DECAL:WARNING-IMPROPER GROUNDING. | 1 |



This page intentionally left blank.

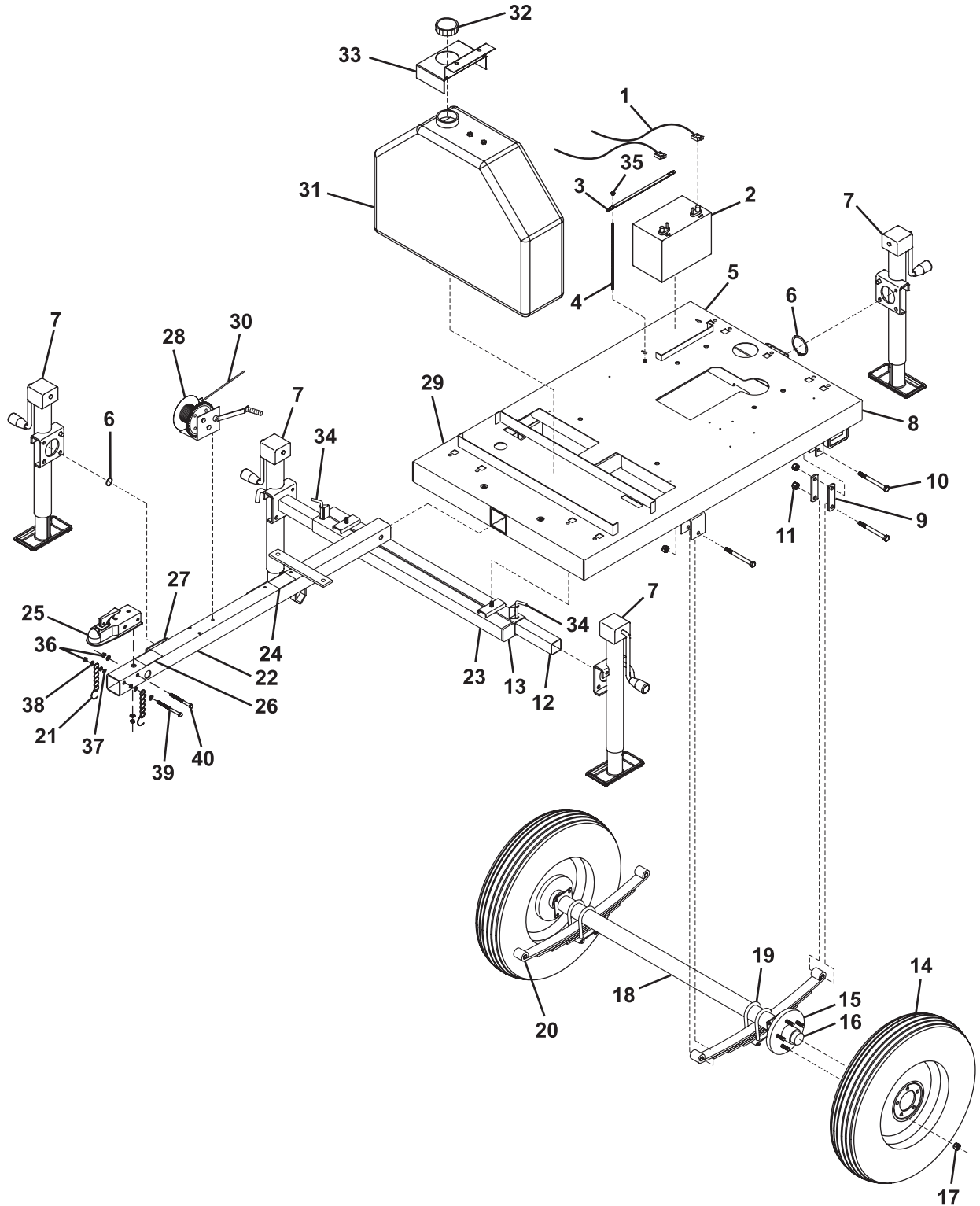


Chassis Components

Figure 201.1

Light Tower Chassis

REV A





REV A

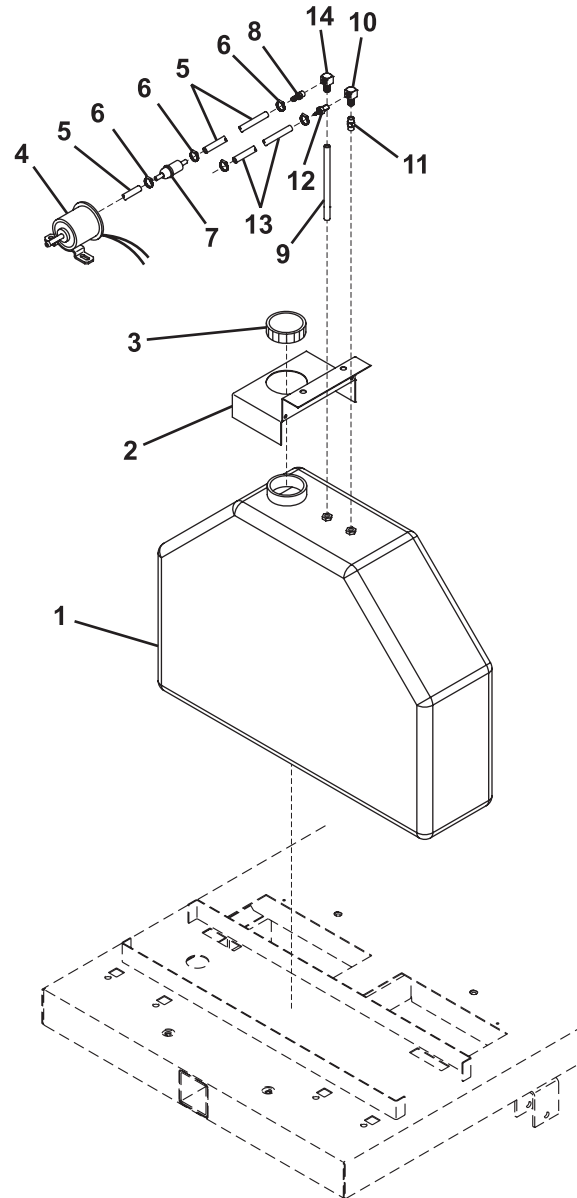
FIGURE 201.1

| ITEM # | PART # | DESCRIPTION | QTY. |
|--------|------------|--|------|
| 1 | 160270 | BATTERY CABLE SET 24 4GA MBT TERM P&N R&B | 1 |
| 2 | Z112300 | BATTERY WET 12V GR24 460 CCA STD-DUTY L/A | 1 |
| 3 | 174170 | BATTERY HOLD DOWN | 1 |
| 4 | 182330 | BATTERY HOLD DOWN ROD 1/4" X 10-1/4" | 2 |
| 5 | 851820 | DECAL, SYMBOL FOR GROUND | 1 |
| 6 | 840222 | JACK SNAP RING | 4 |
| 7 | 841430 | JACK SIDEWIND LONG 3KLB | 4 |
| 8 | CR82C000 | TRAILER BASE | 1 |
| 9 | 841473 | AXLE SHACKLE 4-5/8" LG 2000LB/3500LB | 4 |
| 10 | 840394 | AXLE SPRING BOLT 2000LB/3500LB | 6 |
| 11 | 840395 | AXLE SPRING NUT 2000LB/3500LB | 6 |
| 12 | CS62C012 | OUTRIGGER LEG | 2 |
| 13 | 721051 | CAPLUG, TUBE PLUG 2-1/2" X 2-1/2" | 2 |
| 14 | C83100900 | TIRE, ST175/80-13 LOAD B W/13" BLACK RIM | 2 |
| 15 | CTR D-111A | HUB W/RACE/BEARINGS/NUTS/STUDS/CAP/WASHER | 2 |
| 16 | C2201-DC | DUST CAP FOR 2000LB AXLE | 2 |
| 17 | 840376 | AXLE WHEEL NUT 2000LB/3500LB | 10 |
| 18 | C82100600 | AXLE 2000LB, 36" SC | 1 |
| 19 | C82200104 | U-BOLT, AXLE 2000LB | 4 |
| 20 | C33612 | SPRING-LEAF SPRING-2000LB | 2 |
| 21 | 111936 | CHAIN SAFETY 3000LB 3/8" X 30" W/S-HOOK | 2 |
| 22 | CS82A020 | TONGUE, B-O-H W/JACK BRACKET | 1 |
| 23 | CS62A011 | OUTRIGGER HOUSING | 1 |
| 24 | CR51A102 | DECAL, WARNING ALL OUTRIGGER | 1 |
| 25 | 840120 | COUPLER, 2", BOLT ON | 1 |
| 26 | 851310 | DECAL, WARNING ALL JACKS MUST BE SWIVELED | 3 |
| 27 | 840221 | JACK BRACKET SWIVEL WELD-ON | 1 |
| 28 | C61100200 | WINCH, BRAKE, 1500LB W/HANDLE | 1 |
| 29 | 930950 | WEATHERSTRIP ADHESIVE 1/4" THK X 1/2" WIDE | 8FT |
| 30 | CU63B054 | CABLE, TOWER TILT | 1 |
| 31 | CR21A000 | TANK FUEL 30GAL | 1 |
| 32 | C42200220 | RL FUEL CAP | 1 |
| 33 | CR59B035 | FUEL TANK SUPPORT BRACKET | 1 |
| 34 | 51600200 | LATCH, OUTRIGGER | 2 |
| 35 | 990150 | NUT | 4 |
| 36 | 990200 | NUT, LOCK, NYLON INSERT | 2 |
| 37 | 991650 | WASHER, LOCK 1/2" | 4 |
| 38 | 993860 | WASHER, FLAT 1/2" | 2 |
| 39 | 994200 | SCREW, 1/2-13NC X 5-1/2" | 1 |
| 40 | 995310 | SCREW, 1/2-13NC X 4" | 1 |

Figure 202.1

Fuel Tank Assembly

REV A

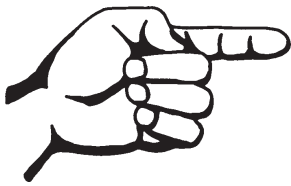




REV A

FIGURE 202.1

| ITEM # | PARTS # | DESCRIPTION | QTY. |
|--------|-----------|----------------------------------|------|
| 1 | CR21A000 | FUEL TANK, 30 GALLON | 1 |
| 2 | CR59B035 | BRACKET, FUEL TANK SUPPORT | 1 |
| 3 | C42200220 | CAP, FUEL TANK | 1 |
| 4 | 660320 | FUEL PUMP | 1 |
| 5 | 890795 | HOSE, FUEL 5/16" X 7FT | 1 |
| 6 | 792750 | CLAMP, HOSE | 5 |
| 7 | 740620 | FILTER, IN-LINE FUEL | 1 |
| 8 | 898590 | FITTING, STRAIGHT TO BARB 5/16" | 1 |
| 9 | C91100300 | HOSE, NYLON FUEL | 1 |
| 10 | 891520 | FITTING, 90 DEGREE ELBOW, RETURN | 1 |
| 11 | 891550 | ADAPTOR, STRAIGHT | 1 |
| 12 | 891560 | FITTING, STRAIGHT TO BARB 1/8" | 1 |
| 13 | 890785 | HOSE, FUEL 1/8" | AR |
| 14 | C90200400 | FITTING, 90 DEGREE ELBOW, PICKUP | 1 |



This page intentionally left blank.



Cabinet Components

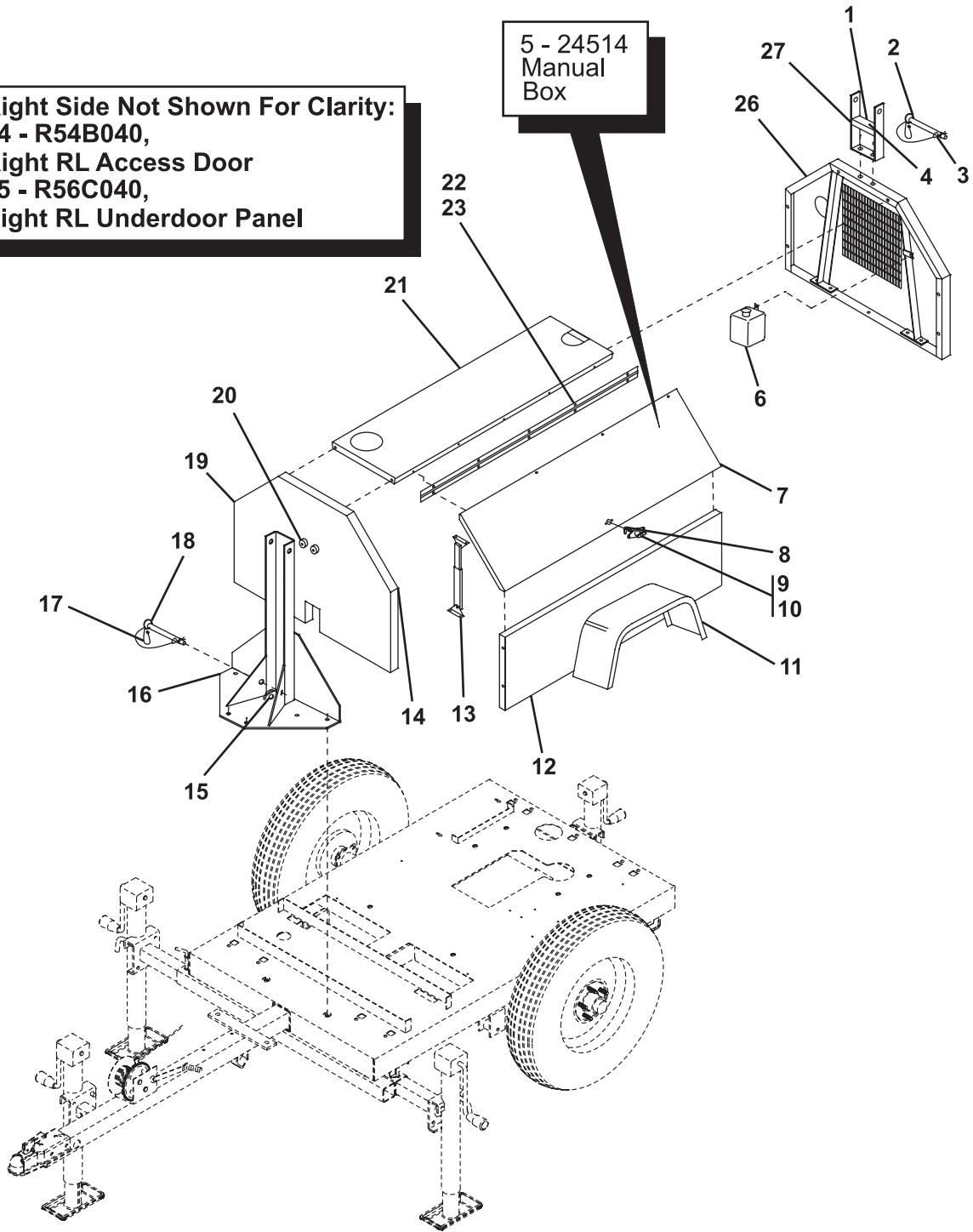
Figure 301.1

Cabinet Components

REV A

Right Side Not Shown For Clarity:
24 - R54B040,
Right RL Access Door
25 - R56C040,
Right RL Underdoor Panel

5 - 24514
Manual
Box

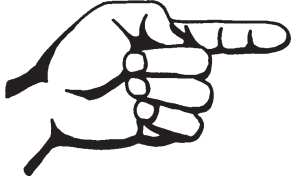




REV A

FIGURE 301.1

| ITEM # | PART # | DESCRIPTION | QTY. |
|--------|-----------|--|------|
| 1 | CU63A040 | SUPPORT, PLASTIC, 2HOLE 3.5" X 2.5" X 1" | 1 |
| 2 | C61300501 | PIN, 3/4" X 7" ZINC | 1 |
| 3 | C61300502 | CLIP, HITCH PIN | 1 |
| 4 | CU51A118 | DECAL, PIN WITH ARROW | 1 |
| 5 | 24514 | LITERATURE BOX BLACK, PLASTIC | 1 |
| 6 | 865307 | COOLANT RECOVERY TANK | 1 |
| 7 | CR54B050 | DOOR, ROADSIDE | 1 |
| 8 | C51100200 | CAM, DOOR HANDLE | 2 |
| 9 | C51100300 | T-HANDLE, BLACK W/ KEYS | 2 |
| 10 | C42200203 | DOOR HANDLE KEYS | 2 |
| 11 | C83400100 | FENDER | 2 |
| 12 | CR56C050 | CABINET, UNDERDOOR PANEL RS | 1 |
| 13 | C51500200 | PROP DOOR 10" TELESCOPIC | 2 |
| 14 | 930950 | WEATHERSTRIP ADHESIVE 1/4" THK X 1/2" WIDE | 14FT |
| 15 | C61400100 | PULLEY, 3" | 1 |
| 16 | CS63C080 | TOWER BASE | 1 |
| 17 | C61300502 | CLIP, HITCH PIN | 1 |
| 18 | C61300501 | PIN, 3/4" X 7" | 1 |
| 19 | CR58C011 | CABINET, FRONT PANEL | 1 |
| 20 | C51400301 | CUSHION | 2 |
| 21 | CR59C010 | PANEL, TOP | 1 |
| 22 | 796610 | HINGE PIANO 1.5" X 51.75" | 2 |
| 23 | 990670 | RIVET POP 3/16" X 1/2" | 36 |
| 24 | CR54B040 | DOOR, CURBSIDE | 1 |
| 25 | CR56C040 | CABINET, UNDERDOOR PANEL CS | 1 |
| 26 | 116215 | CABINET, REAR PANEL | 1 |
| 27 | CR63A040 | REAR TOWER SUPPORT | 1 |



This page intentionally left blank.

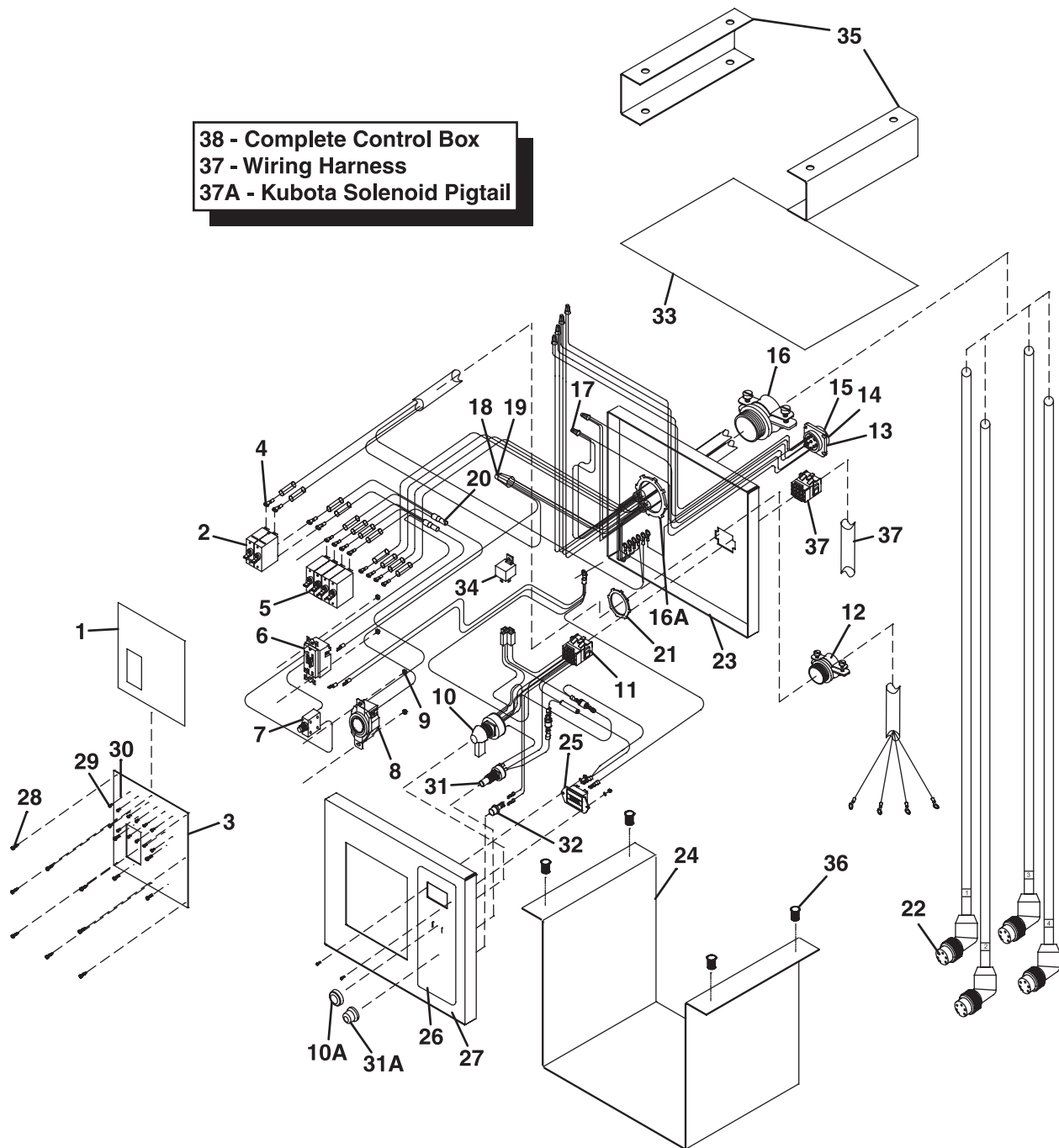


Electrical Components

Figure 401.1

Electrical Control Box

REV A





REV A

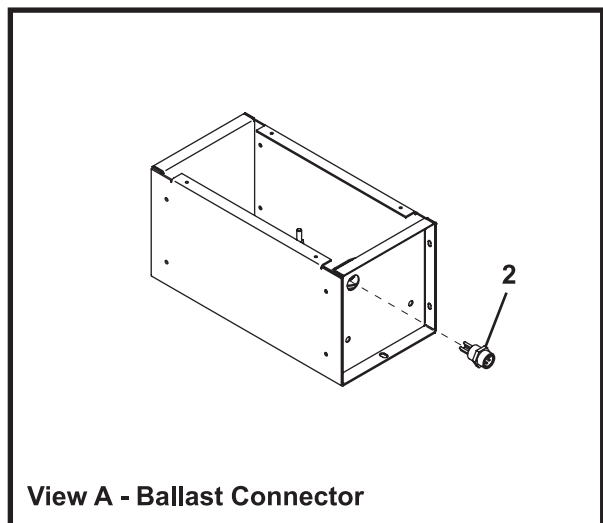
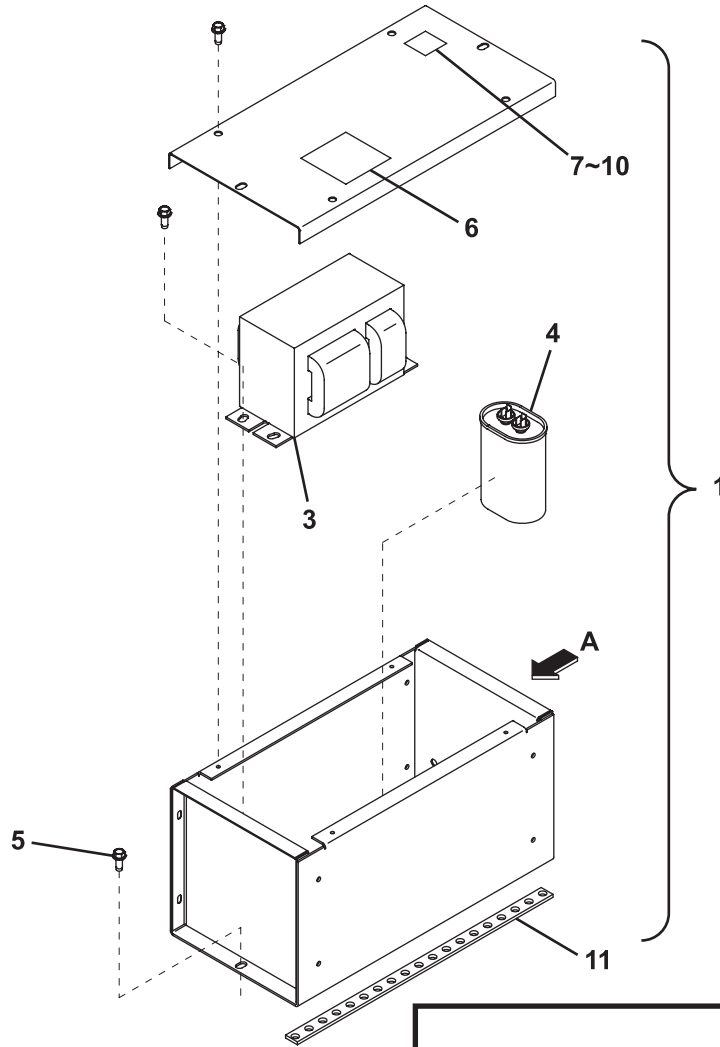
FIGURE 401.1

| ITEM # | PART # | DESCRIPTION | QTY. |
|--------|-----------|--|------|
| 1 | 853294 | DECAL: AL/RL CONTROL BOX AC "POWER & LIGHT" | 1 |
| 2 | 683680 | BREAKER 2P 30A 240V | 1 |
| 3 | 186546 | CONTROL BOX,FACE PLATE | 1 |
| 4 | 709133 | TERMINAL,RING | 2 |
| 5 | 683870 | BREAKER 1P 15A 277VAC | 4 |
| 6 | 684640 | RECEPTACLE 20A 120V DUPLEX W/GFI | 1 |
| 7 | 683970 | BREAKER MINI 1P 20A | 1 |
| 8 | 684450 | RECEPTACLE 30A 240V | 1 |
| 9 | C54100600 | NUT, NYLOCK, 8-32 ZINC | 5 |
| 10 | 684380 | SWITCH, IGNITION LEVER OPERATED | 1 |
| 10A | | included with item 10 | |
| 11 | 116815 | WIRE HARNESS,DC ENGINE | 1 |
| 12 | 680030 | CONNECTOR,2 SCREW,3/4" | 1 |
| 13 | 685672 | CONNECTOR 9P,FEMALE | 1 |
| 14 | 685674 | SOCKETS, FEMALE | 9 |
| 15 | 800003 | CONNECTOR WITH WIRES (includes 13 and 14) | 1 |
| 16 | 686220 | CONNECTOR,2 SCREW,1.25 | 1 |
| 16A | | included with item 16 | |
| 17 | 709032 | TERMINAL,CLOSED END | 2 |
| 18 | 680060 | WRAP CAP | 1 |
| 19 | 680290 | CRIMP SLEEVE | 1 |
| 20 | 116770 | WIRE HARNESS | 1 |
| 21 | 680250 | LOCKNUT, CONDUIT 3/4" | 1 |
| 22 | 663890 | CORD SET FEMALE 6FT 5P | 4 |
| 23 | 186542 | CONTROL BOX,REAR PANEL | 1 |
| 24 | 186540 | CONTROL BOX BODY | 1 |
| 25 | 260361 | HOURLMETER, DIGITAL | 1 |
| 26 | 853289 | DECAL: AL/RL CONTROL BOX DC "ENGINE CONTROLS" | 1 |
| 27 | 186544 | CONTROL BOX,FRONT PANEL | 1 |
| 28 | 996340 | SCREW,#10-16X3/4 PH ZP | 12 |
| 29 | 995300 | SCREW,#6-32X1/4 PAN HD | 12 |
| 30 | 994420 | WASHER,LOCK,#6 | 12 |
| 31 | R660010 | SWITCH PUSH-BUTTON | 1 |
| 31A | | included with item 31 | |
| 32 | 682715 | LIGHT INDICATOR 12V RED | 1 |
| 33 | 186543 | CONTROL BOX,TOP PANEL | 1 |
| 34 | R661490 | RELAY 12V DC 30A | 1 |
| 35 | 116121 | BRACKET, E-BOX HANGER | 2 |
| 36 | 993310 | NUTSERT,1/4-20UNC | 8 |
| 37 | 116820 | WIRING HARNESS, FROM ENGINE | 1 |
| 37A | 800004 | KUBOTA SOLENOID PIGTAIL | 1 |
| 38 | 116805 | COMPLETE ELECTRICAL CONTROL BOX, includes 1-36 | 1 |

Figure 402.1

Ballast Box Assembly

REV A





REV A

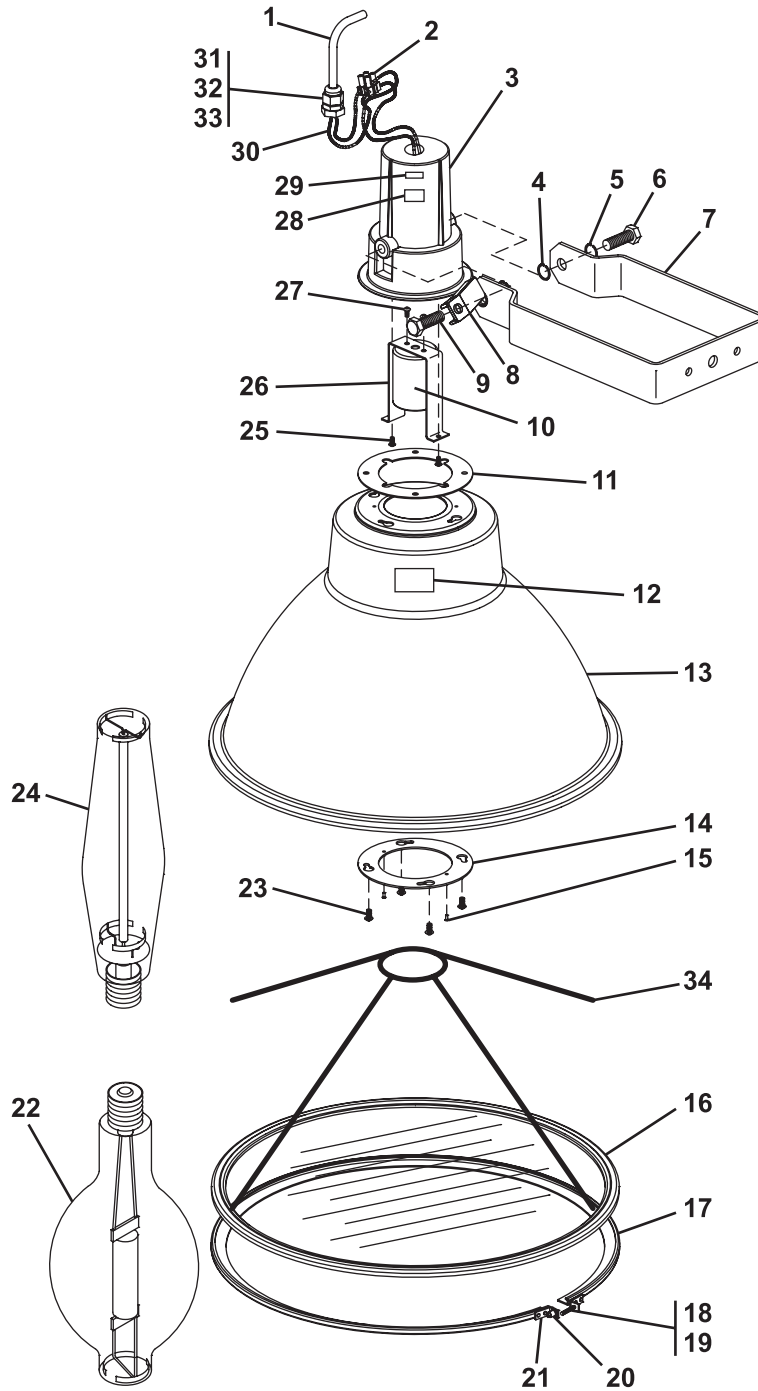
FIGURE 402.1

| ITEM # | PART # | DESCRIPTION | QTY. |
|--------|--------|---------------------------------|------|
| 1 | 114355 | BALLAST BOX, MH | 1 |
| 2 | 663860 | CONNECTOR, 5P, MALE | 1 |
| 3 | 160030 | MH TRANSFORMER AND CAPACITOR | 1 |
| 4 | 160032 | CAPACITOR, 24uF, MH, 60Hz, 480V | 1 |
| 5 | 995490 | SCREW, 1/4-20NC X 5/8 | 8 |
| 6 | 850130 | DECAL: DANGER HIGH VOLTAGE | 1 |
| 7 | 851691 | DECAL: 1 | 1 |
| 8 | 851692 | DECAL: 2 | 1 |
| 9 | 851693 | DECAL: 3 | 1 |
| 10 | 851694 | DECAL: 4 | 1 |
| 11 | 189346 | SPACER | 4 |

Figure 403.1

Light Fixture

REV A



NOTE:
FOR COMPLETE MH ASSEMBLY
ORDER PART# C41100720



REV A

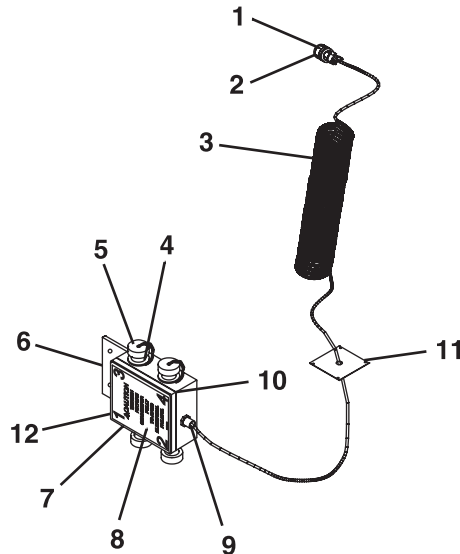
FIGURE 403.1

| ITEM # | PART # | DESCRIPTION | QTY. |
|--------|-----------|--|------|
| 1 | 663850 | CORD SET MALE 5FT. 3P | 1 |
| 2 | 709034 | TERMINAL STRIP, 2P | 2 |
| 3 | 833567 | CASTING FOR NEW FIXTURE | 1 |
| 4 | 995970 | WASHER LOCK STAR 1/2 | 2 |
| 5 | 991650 | WASHER LOCK 1/2 | 2 |
| 6 | 990810 | SCREW 1/2-13NCX1-1/2 HHC GR 2 ZP | 2 |
| 7 | 833566 | TRUNION | 1 |
| 8 | 833573 | T-HANDLE | 1 |
| 9 | 981640 | SCREW 1/2-13NCX1-1/4 HHC GRADE 5 | 1 |
| 10 | 833564 | SOCKET BASE-MOGUL | 1 |
| 11 | 833569 | GASKET FOR REFLECTOR | 1 |
| 12 | 833585 | LABEL, FIXTURE CSA APPROVED | 1 |
| 13 | 833568 | REFLECTOR | 1 |
| 14 | 833570 | RING,REINFORCING FOR REFLECTOR | 1 |
| 15 | 990675 | RIVET POP 1/8X.390 GR-1/4-5/16 | 2 |
| 16 | 833524 | LENS W/ GASKET | 1 |
| 17 | 833543 | CLAMP;LENS TO REFLECTOR | 1 |
| 18 | 833574 | SCREW,8-32X1" HH SLOT | 1 |
| 19 | 833581 | WASHER, FIBER FOR BAND | 1 |
| 20 | 833578 | NUTSERT FOR BAND,8-32 X 1/4 | 1 |
| 21 | NPN | included with item 17 | 1 |
| 22 | 160071 | LAMP MH 1000W | 1 |
| 23 | 833571 | SCREW,10-24X5/8 | 4 |
| 24 | 160140 | LAMP HPS 1000W | 1 |
| 25 | 833565 | SCREW 8-32X3/8 PH | 2 |
| 26 | 833563 | SOCKET BRACKET | 1 |
| 27 | 833577 | SCREW,8-32X5/8 | 2 |
| 28 | 833584 | LABEL,105C CORD RATING | 1 |
| 29 | 833583 | LABEL,WET LOCATION | 1 |
| 30 | 833582 | FIBERGLASS WIRE SLEEVE | 1 |
| 31 | 683950 | GASKET 1/2 S/R CONN | 1 |
| 32 | 680020 | LOCKNUT CONDUIT 1/2 | 1 |
| 33 | 682470 | CONNECTOR STRAINRELIEF | 1 |
| 34 | 22120102 | LAMP SUPPORT | 1 |
| 35 | C41100720 | COMPLETE FIXTURE ASSEMBLY (includes items 1-34) | 1 |

Figure 404.1

Coil Cord & Junction Box

REV A



**13 - Junction Box,
 Complete with Coil Cord
 Includes items 1 - 12.
 14 - Coil Cord Assembly
 Includes items 1, 2 & 3.**

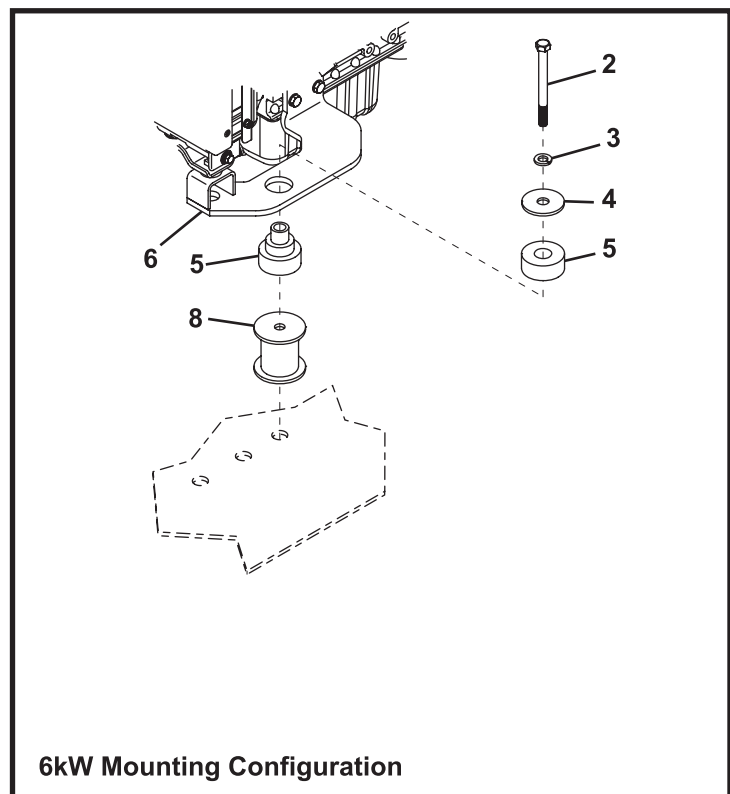
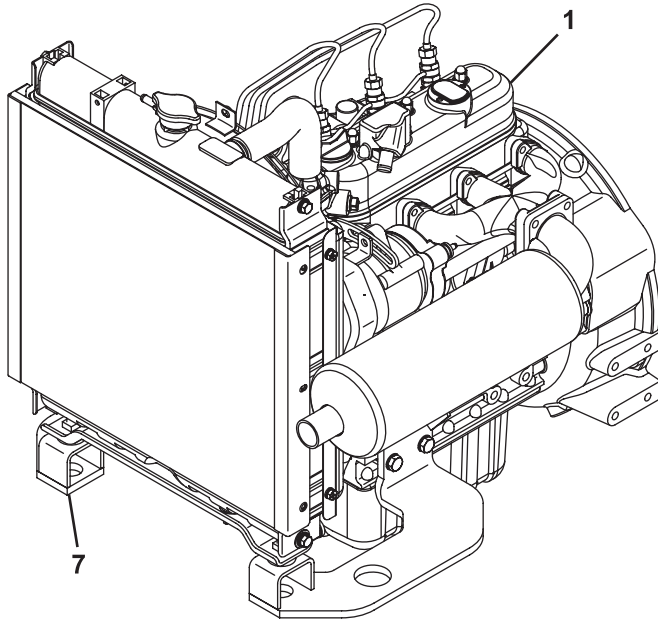
| ITEM # | PART # | DESCRIPTION | QTY. |
|--------|-----------|---|------|
| 1 | 685674 | SOCKET | 9 |
| 2 | 685671 | CONNECTOR 9P, PLUG | 1 |
| 3 | 660287 | COIL CORD, RETRACT, 14/7 | 1 |
| 4 | 663870 | CONNECTOR, 3P, FEMALE | 4 |
| 5 | 663880 | DUST CAP W/CHAIN | 4 |
| 6 | C48300108 | JUNCTION BOX | 1 |
| 7 | 680190 | BOX COVER, 2GANG W/GASKET | 1 |
| 8 | 852800 | DECAL: CAUTION TIGHTEN FIXTURE CONNECTOR | 1 |
| 9 | 680080 | GRIP, HUBBLE | 1 |
| 10 | 720440 | WEATHERSTRIP ADHESIVE | AR |
| 11 | 186280 | PLATE, COIL CORD, CABINET MOUNT | 1 |
| 12 | 994380 | SCREW, #6-32 X 5/8", RD HD, SLOT, S/S | 4 |
| 13 | 22112580 | JUNCTION BOX, COMPLETE WITH COIL CORD includes 1-12 | 1 |
| 14 | 22112575 | COIL CORD ASSEMBLY includes 1, 2 and 3 | 1 |

Engine & Generator

Figure 501.1

Engine- Kubota D1105

REV A





REV A

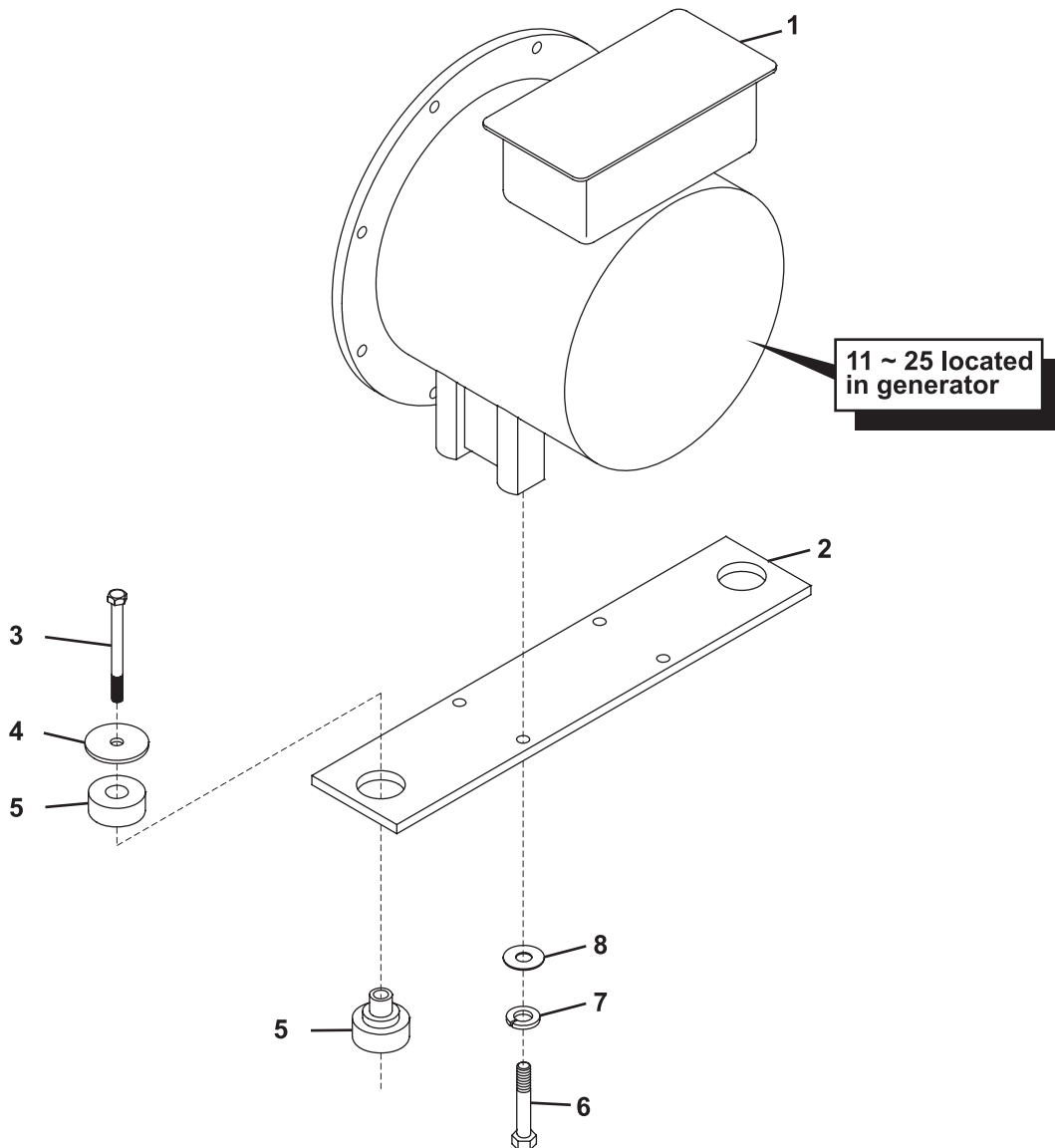
FIGURE 501.1

| ITEM # | PART # | DESCRIPTION | QTY. |
|--------|----------|--|------|
| 1 | 732205PP | KUBOTA D1105 ENGINE, POWERPACK, BUILD EBG2 | 1 |
| 2 | 995380 | SCREW, 1/2-13NC X 4HHC, GR 2, ZP | 2 |
| 3 | 991650 | WASHER, LOCK 1/2" | 2 |
| 4 | 990415 | WASHER, FLAT, SNUBBER, 1/2 X 2-3/4", ZP | 2 |
| 5 | 80379 | VIBRATION MOUNT, 40 DUROMETER | 2 |
| 6 | 124016 | ENGINE MOUNT, L-BRACKET - CURBSIDE | 1 |
| 7 | 124017 | ENGINE MOUNT, L-BRACKET - ROADSIDE | 1 |
| 8 | 124025 | GENSET RISER, 6KW ONLY | 2 |
| | 839190 | LOW OIL PRESSURE SWITCH | 1 |
| | 741140 | HIGH TEMPERATURE SWITCH | 1 |
| | 866125 | AIR CLEANER ASSEMBLY | 1 |
| | 866126 | AIR CLEANER BODY | 1 |
| | 866127 | AIR CLEANER ELEMENT | 1 |
| | 866128 | AIR CLEANER COVER | 1 |
| | 866129 | AIR CLEANER VALVE | 1 |
| | 866050 | OIL FILTER | 1 |
| | 740620 | FUEL FILTER, IN-LINE, 5/16 | 1 |
| | 839107 | FUEL FILTER ASSEMBLY | 1 |
| | 839200 | FUEL FILTER ELEMENT | 1 |
| | 660320 | FUEL PUMP | 1 |
| | 866101 | STARTER | 1 |
| | 866090 | ALTERNATOR | 1 |
| | 866044 | 2 WIRE STOP SOLENOID | 1 |
| | 866040 | GASKET, SOLENOID | 1 |
| | 839209 | V-BELT | 1 |
| | 839261 | WATER PUMP | 1 |
| | 839134 | FAN, PUSHER | 1 |
| | 866113 | FAN GUARD | 1 |
| | 839154 | OIL DIPSTICK | 1 |
| | 865276 | MUFFLER, D1105 | 1 |
| | 190150 | SPACER, MUFFLER | 2 |
| | 832128 | MUFFLER GASKET | 3 |
| | 996330 | SCREW, M8 X 1.25 X 45MM, HHC, ZP, MUFFLER | 4 |
| | 990460 | WASHER, LOCK, 5/16, MUFFLER | 4 |
| | 125395 | MUFFLER TAILPIPE, D1105 | 1 |
| | 741970 | OIL DRAIN VALVE | 1 |
| | 792750 | CLAMP 7/16 TO 25/32 | 1 |
| | 897110 | HOSE, OIL, 3/8, 0-250PSI | 3 |
| | 866110 | RADIATOR | 1 |
| | 866120 | CAP FOR RADIATOR | 1 |
| | 839109 | HOSE, TOP | 1 |
| | 839110 | HOSE, BOTTOM | 1 |
| | 865307 | COOLANT RECOVERY TANK | 1 |
| | 893020 | OPERATION MANUAL D1105 | 1 |

Figure 502.1

Marathon Generator - 6 kW - 201CSA5411

REV A





REV A

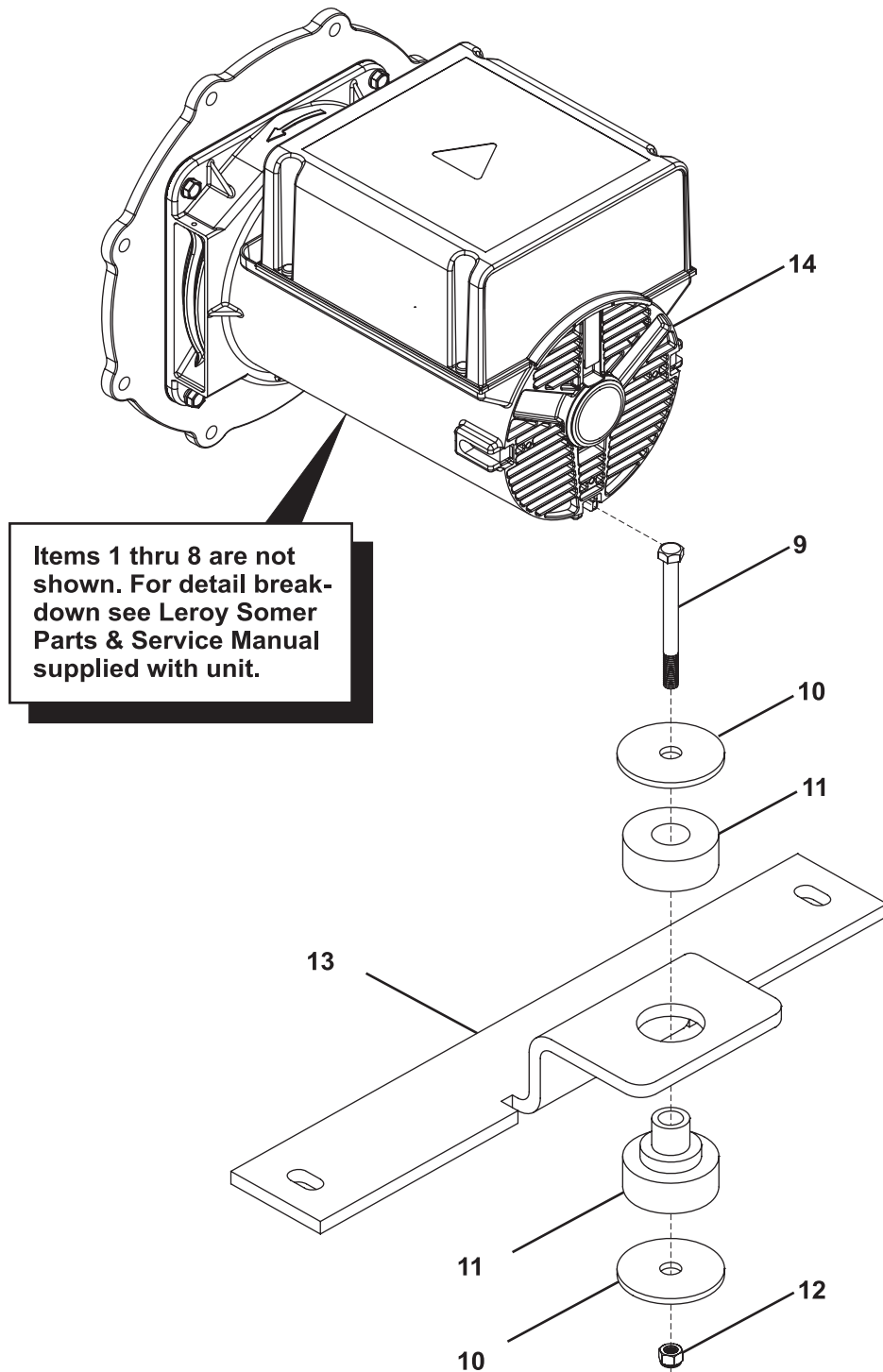
FIGURE 502.1

| ITEM # | PART # | DESCRIPTION | QTY. |
|--------|--------|---|------|
| 1 | 85206 | GENERATOR, MARATHON, PANCAKE, 6KW | 1 |
| 2 | 189347 | GENERATOR MOUNT BRACKET | 1 |
| 3 | 990220 | SCREW, 1/2-13NC X 3-1/2 HHC, GR 2, ZP | 2 |
| 4 | 990415 | WASHER, FLAT SNUBBER, 1/2 X 2-3/4 X 7GA, ZINC | 2 |
| 5 | 80379 | ISOLATOR, ENGINE MOUNT, 40 DURO | 2 |
| 6 | 991761 | SCREW, 3/8-16NC X 1-1/4 HHC, GRADE 5, ZP | 4 |
| 7 | 990470 | WASHER, LOCK, 3/8 | 4 |
| 8 | 981120 | WASHER, FLAT, 3/8 | 4 |
| | 116167 | FAN, 8LHD435044 | 1 |
| | 116168 | BEARING, ODE, A-90006R-30 | 1 |
| | 116169 | BEARING, BRACKET, ODE(5412), 8LHD013096 | 1 |
| | 116172 | O-RING, 8LHD766012 | 1 |
| | 116174 | POT COVER, 8LHD310316 | 1 |
| | 116176 | SCREEN ASY W/SPGS, 8LHD336030 | 1 |
| | 116177 | DRIVE DISC (C-107), 702326-01 | 1 |
| | 116178 | HUB SPACER, 725334-01 | 1 |
| | 116179 | CONN. BOX BASE, 8LHD354045 | 1 |
| | 116182 | CONN. BOX COVER, 8LHD354044 | 1 |
| | 116183 | CAPACITOR 25MF, 8LHD5990012 | 1 |
| | 116184 | CLAMP, CAPACITOR, 8LHD086034 | 1 |
| | 116187 | TERMINAL BLOCK, TS-6005 | 1 |
| | 836853 | DIODE | 1 |
| | 836856 | SURGE PROTECTOR, SUPPRESSOR/VARISITOR | 1 |
| | 116188 | MANUAL, MARATHON PANCAKE GENERATOR | 1 |

Figure 503.1

Leroy Somer Generator - 6 kW - LSA 36, M6

REV A

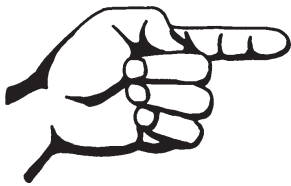




REV A

FIGURE 503.1

| ITEM # | PART # | DESCRIPTION | QTY. |
|--------|--------|---|------|
| 1 | 836704 | NDE BEARING | 1 |
| 2 | 836705 | DIODE KIT (includes 2 diodes) | 1 |
| 3 | 836706 | ROTOR BOLT (8 X 245) | 1 |
| 4 | 836707 | TOP COVER | 1 |
| 5 | 836708 | END CAP | 1 |
| 6 | 836709 | FAN | 1 |
| 7 | 836710 | TERMINAL BLOCK | 1 |
| 8 | 836711 | KIT: CAPACITOR, 22.5mf, (Includes two capacitors) | 2 |
| 9 | 996290 | SCREW, M10X1.5X90MM HHC, GRADE 8.8, ZP | 1 |
| 10 | 990415 | WASHER, FLAT SNUBBER | 2 |
| 11 | 740925 | VIBRATION MOUNT, 30 DUR | 3 |
| 12 | 996496 | NUT LOCK NYLON INSERT M10 X 1.5 HEX ZP | 1 |
| 13 | 189344 | GENERATOR MOUNT BAR | 1 |
| 14 | 630905 | GENERATOR L-S 6KW 120/240 C106 SAE5 LSA36 | 1 |



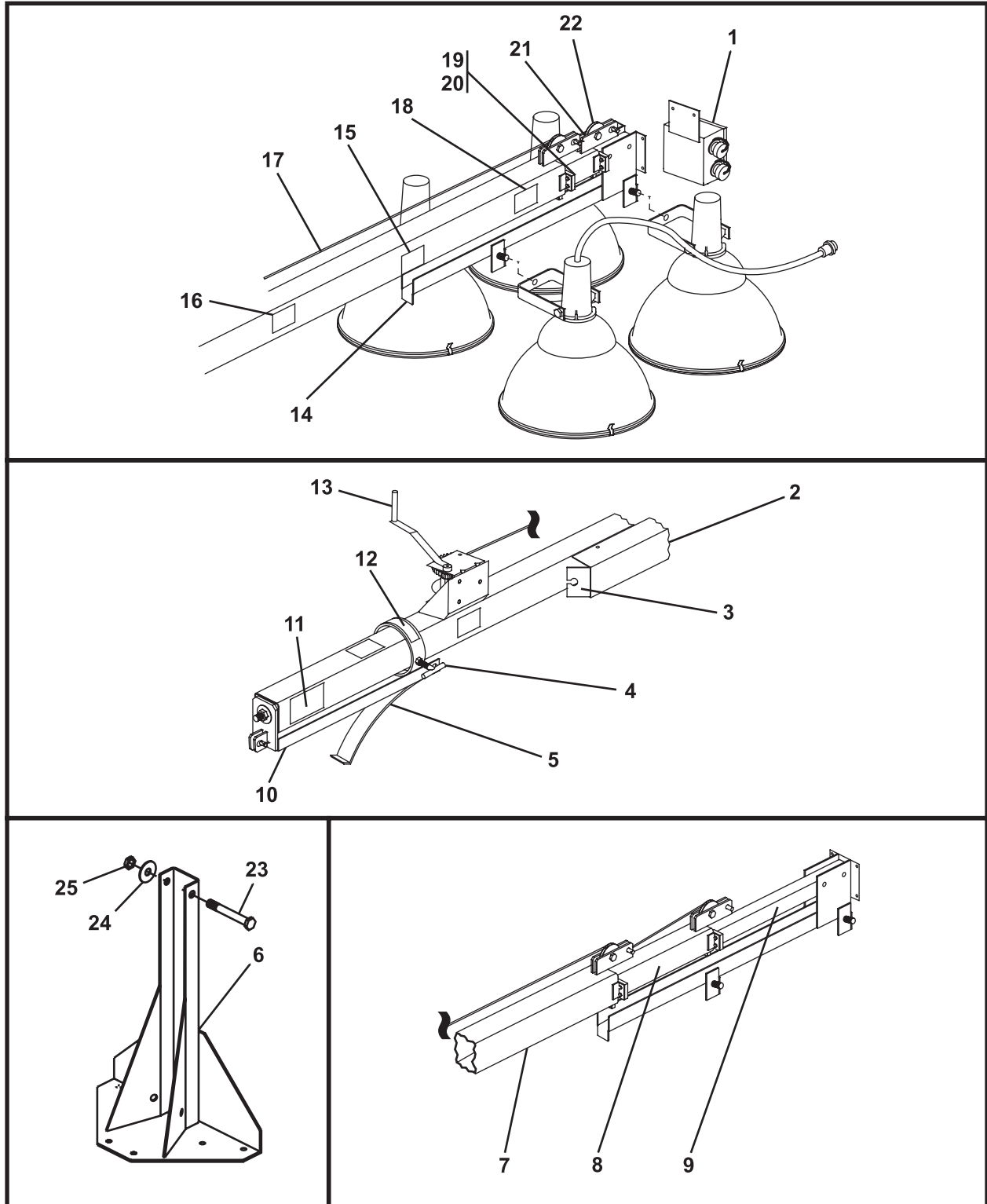
This page intentionally left blank.

Mast Components

Figure 601.1

Tower Assembly

REV A

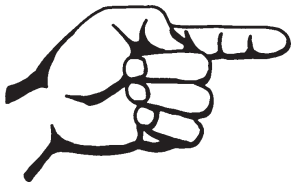




REV A

FIGURE 601.1

| ITEM # | PART # | DESCRIPTION | QTY. |
|--------|-----------|---|------|
| 1 | C48300108 | JUNCTION BOX, WITH QUICK CONNECTIONS | 1 |
| 2 | CR61C018 | COIL CORD COVER SLEEVE | 1 |
| 3 | CR61A017 | WIRE GUIDE BRACKET | 1 |
| 4 | 990610 | BOLT TEE 1/2-20NF | 1 |
| 5 | CU61A090 | SPRING,KICKOUT | 1 |
| 6 | CS63C080 | TOWER BASE | 1 |
| 7 | CR61C010 | TOWER, 4" SECTION | 1 |
| 8 | CR61C020 | TOWER, 3" SECTION | 1 |
| 9 | CR61C030 | TOWER, 2" SECTION | 1 |
| 10 | CS61C060 | SWIVEL, BOOM(TOWER) | 1 |
| 11 | CU51A103 | DECAL: AVOID BOOM SWING | 1 |
| 12 | CR51A107 | DECAL: ALIGN ARROWS BEFORE LOWERING | 1 |
| 13 | C61100200 | WINCH,BRAKE,1500LB W/HANDLE | 1 |
| 14 | CR64C010 | CROSSHEAD | 1 |
| 15 | CR51A103 | DECAL: WARNING-TAIL HOOK MUST BE PROPERLY | 1 |
| 16 | CU51A121 | DECAL: LIFT HERE W/ ARROW | 1 |
| 17 | CU61A025 | CABLE UPPER EXTEND 19' | 1 |
| 18 | CU51A117 | DECAL: CAUTION LAMPS GET HOT | 1 |
| 19 | CS61A053 | SLIDE BLOCK, TOWER GUIDE | 6 |
| 20 | C41135000 | RIVET,POP,1/4" X 1/2" | 24 |
| 21 | CU61A035 | CABLE LOWER EXTEND 11' | 1 |
| 22 | C61400100 | PULLEY,3" | 1 |
| 23 | C54200300 | BOLT | 1 |
| 24 | C54300400 | WASHER | 1 |
| 25 | C54100200 | NUT | 1 |



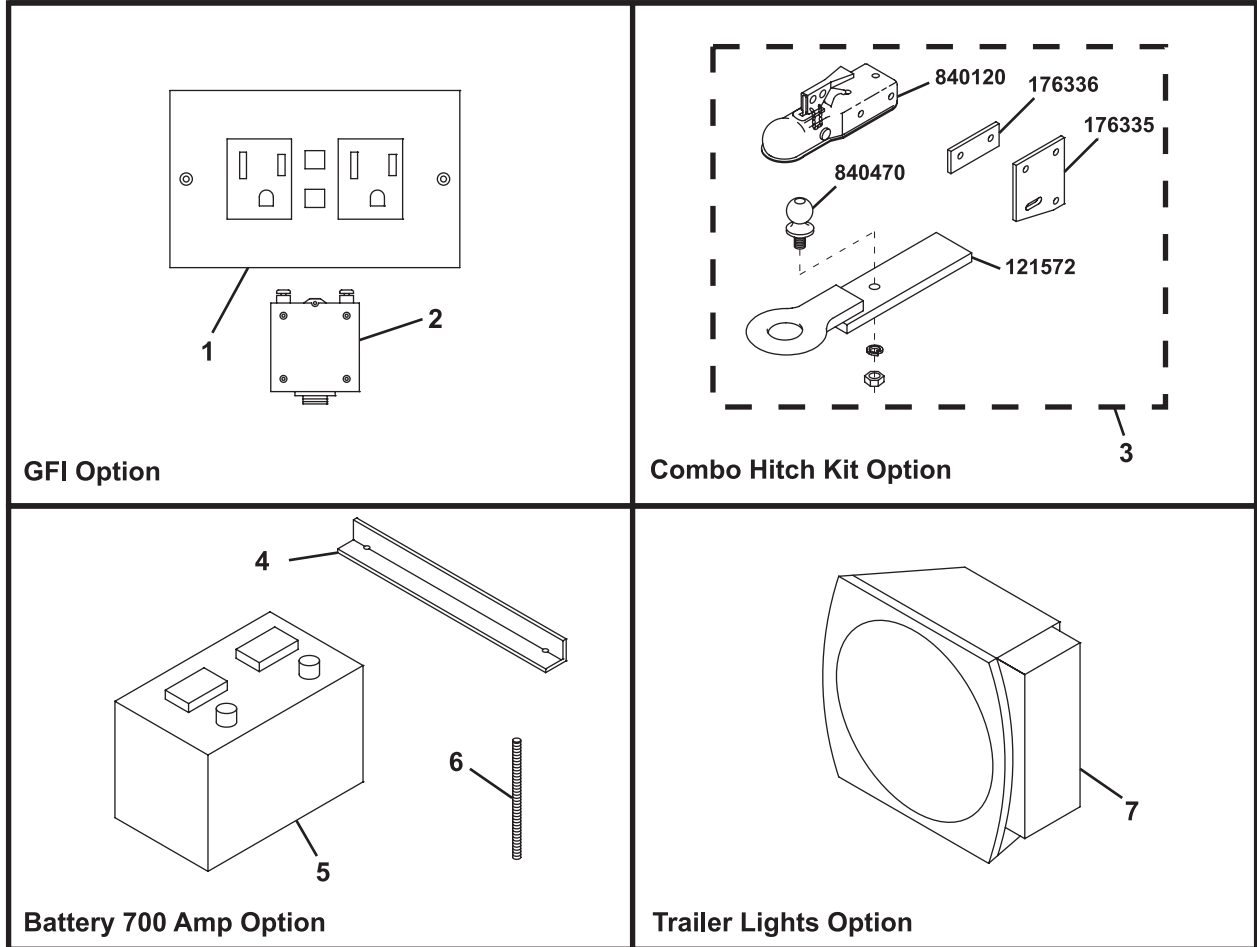
This page intentionally left blank.

Options

Figure 701.1

REV A

Options





REV A

FIGURE 701.1

| ITEM # | PART # | DESCRIPTION | QTY. |
|--------|--------|---|------|
| 1 | 683970 | BREAKER MINI 1P 20A | 1 |
| 2 | 684640 | RECEPTACLE 20A 120V DUPLEX W/GFI | 1 |
| 3 | 940000 | COMBO HITCH KIT OPTION | 1 |
| 4 | 174170 | BATTERY HOLDOWN ANGLE 14.50" | 1 |
| 5 | 161085 | BATTERY, WET, 12V GR24, 700 AMP HEAVY-DUTY L/A | 1 |
| 6 | 182331 | BATTERY HOLDOWN ROD, 1/4 X 11-1/4" | 2 |
| 7 | 660420 | LIGHT, TRAILER KIT M540, WITH RIGHT & LEFT SIDE | 1 |



This page intentionally left blank.

California Proposition 65

Warning

The exhaust from this product contains chemicals known to the State of California to cause cancer, birth defects or other reproductive harm.

Towing Checklist

(Use at each stop)

Before Towing

- Boom hold-down latch is securely locked in place
- Towing hitch is properly secured to tow vehicle
- Safety chains (if required) are properly attached and secure (chains are crossed below hitch)
- All lights are connected and working
- Tires are properly inflated

Before Driving

- Fasten safety restraints
- Properly adjust mirrors

On The Road

- Do not exceed 60 mph / 97 km/h. Obey all local and national towing speed laws
- Check connections and tire pressure at each stop
- Slow down for hazardous conditions
- Allow extra distance for following and passing other vehicles

Genie North America
Phone 425.881.1800
Toll Free USA and Canada
800.536.1800
Fax 425.883.3475

Genie Australia Pty Ltd.
Phone +61 7 3375 1660
Fax +61 7 3375 1002

Genie China
Phone +86 21 53852570
Fax +86 21 53852569

Genie Malaysia
Phone +65 98 480 775
Fax +65 67 533 544

Genie Japan
Phone +81 3 3453 6082
Fax +81 3 3453 6083

Genie Korea
Phone +82 25 587 267
Fax +82 25 583 910

Genie Brasil
Phone +55 11 41 665 755
Fax +55 11 41 665 754

Genie Holland
Phone +31 183 581 102
Fax +31 183 581 566

Genie Scandinavia
Phone +46 31 575100
Fax +46 31 579020

Genie France
Phone +33 (0)2 37 26 09 99
Fax +33 (0)2 37 26 09 98

Genie Iberica
Phone +34 93 579 5042
Fax +34 93 579 5059

Genie Germany
Phone +49 (0)4202 88520
Fax +49 (0)4202 8852-20

Genie U.K.
Phone +44 (0)1476 584333
Fax +44 (0)1476 584334

Genie Mexico City
Phone +52 55 5666 5242
Fax +52 55 5666 3241

Distributed By: